





# SOLAR ECLIPSE SERIES

• FULL CASSETTE • SEMI CASSETTE



The Solar Eclipse is our latest European inspired shading system. With its sleek design for a clean visual when closed, the Solar Eclipse offers what today's discerning homeowners are looking for - function & form. From a very compact space, your custom made, on-demand shading system can span 23' wide and project up to 13' when extended.

- ▼ Awnings available up to 23'0" width x 13'0" projection
- ▼ Heavy duty torsion bar for increased unit rigidity
- ▼ Platinum Protection is included and Platinum Protection Plus is optional
- ▼ Solar Eclipse arms featuring sealed ball bearings & concealed arm belt
- ▼ Choose from more than 150 long lasting, fade resistant solution dyed acrylic  fabrics to best match your unique décor and style
- ▼ Motorized, with a full line of electronic enhancements by 
- ▼ Frame available in Alpine and Onyx (matt finishes)
- ▼ Optional motorized drop shade in both formats up to 11'6" projection

## PRODUCT DETAILS AND TECHNICAL SPECS

## WARRANTY INFORMATION

**Frame:** Lifetime\*

**Fabric:** 10 Years\*

**Motor/Electronics:** 8 Years\*

\*To the original purchaser

INCLUDED:



OPTIONAL:



## HARDWARE COLOR OPTIONS



ALPINE



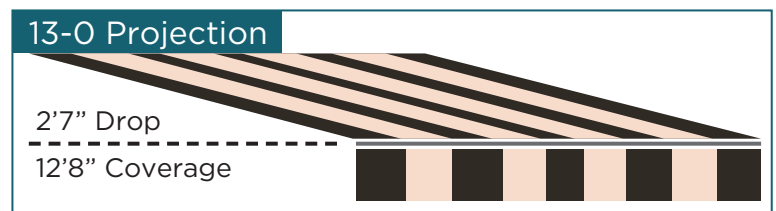
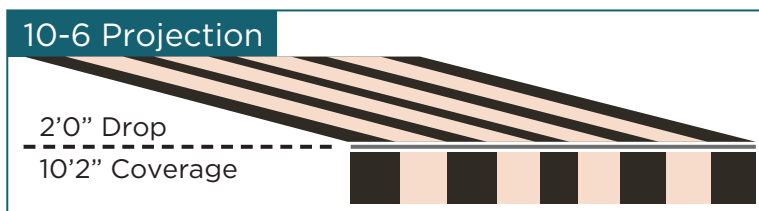
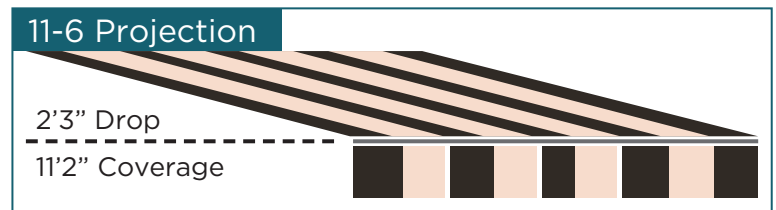
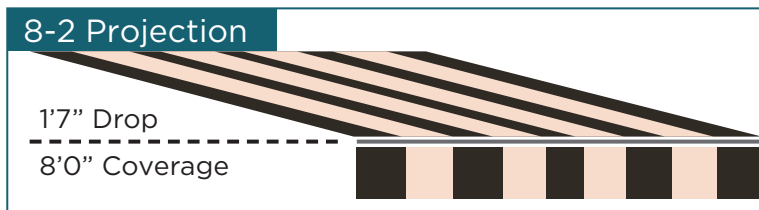
ONYX

## MINIMUM WIDTHS

(Semi Cassette)	
MINIMUM WIDTHS	
Projection	Minimum Width
8'2"	10'2"
10'6"	13'0"
11'6"	13'9"
13'0"	15'5"

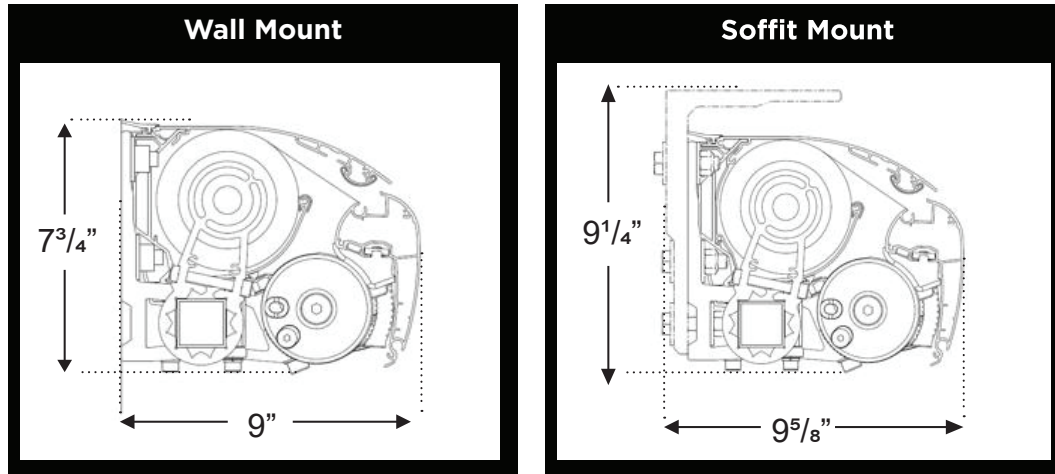
(Full Cassette)	
MINIMUM WIDTHS	
Projection	Minimum Width
8'2"	10'2"
10'6"	13'0"
11'6"	13'9"
13'0"	15'5"

## MINIMUM PITCH REQUIREMENTS

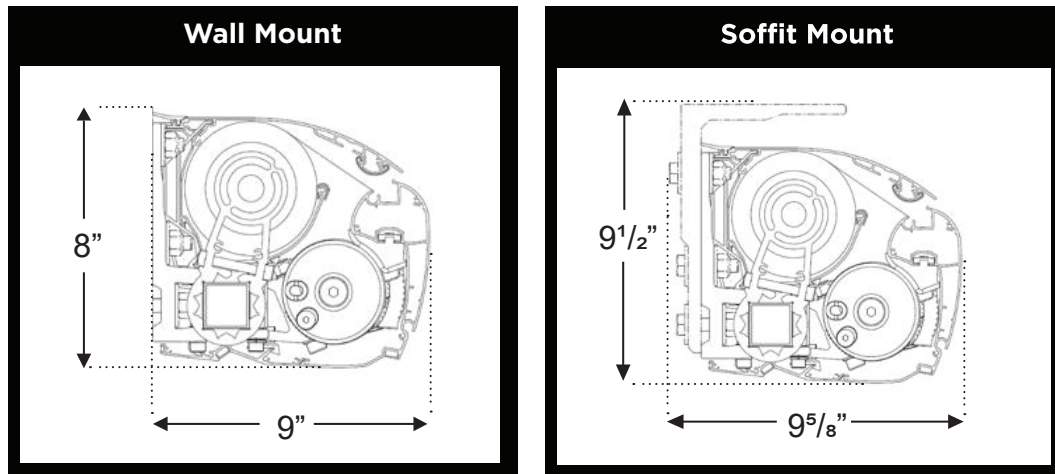


## UNIT PROFILE VIEWS

### SOLAR ECLIPSE WITH SEMI CASSETTE



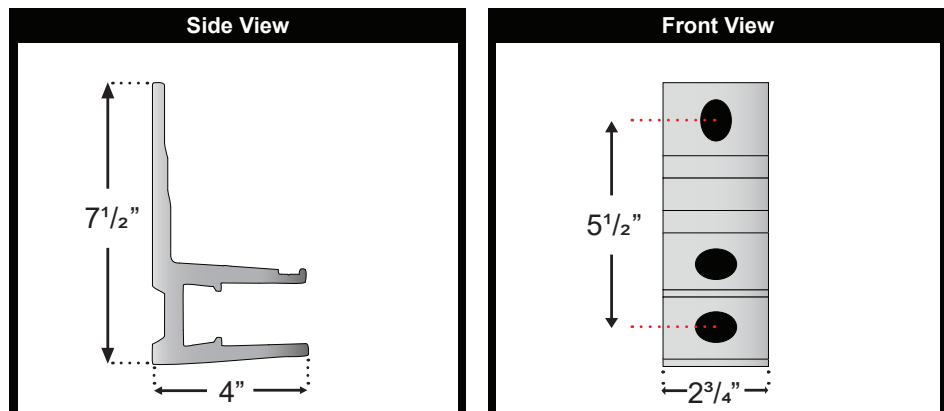
### SOLAR ECLIPSE WITH FULL CASSETTE



### BRACKET DETAILS

40 X 40mm  
 WALL MOUNT BRACKET

- All Sizes
- All Formats
- All Options



Bracket Holes : 0.5" x 0.75"

INSTALLATION RESOURCES

NUMBER OF ARMS BY PROJECTION (SEMI & FULL CASSETTE)

2 Arms	8'2"	10'6"	11'6"	13'0"
Min Widths	10'-2"	13'-0"	13'-9"	15'-5"
Max Widths	14'-11 7/8"	19'-11 7/8"	20'-11 7/8"	23'0"

3 Arms	8'2"	10'6"	11'6"	13'0"
Min Widths	15'-0"	20'-0"	21'-0"	N/A
Max Widths	19'-11 7/8"	23'-0"	23'-0"	N/A

4 Arms	8'2"	10'6"	11'6"	13'0"
Min Widths	20'-0"	N/A	N/A	N/A
Max Widths	23'-0"	N/A	N/A	N/A

INSTALLATION BRACKET ASSIGNMENT (SEMI & FULL CASSETTE)

Install Bracket Count	Unit Projection			
	8'2"	10'6"	11'6"	13'0"
3	up to 12' 11 7/8"			
4	13'0" to 16' 11 7/8"	13'0" to 16'11 7/8"	up to 16'11 7/8"	up to 16'11 7/8"
5	17'0" to 19'11 7/8"	17'0" to 20'0"	17'0" to 20'0"	17'0" to 19'0 7/8"
6		20'0 1/8" to 23'0"	20'0 1/8" to 23'0"	20'0 1/8" to 23'0"
7				
8	20' 0" to 23'0"			

SPECIAL FEATURES

