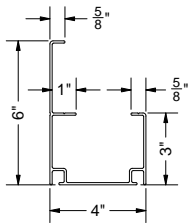
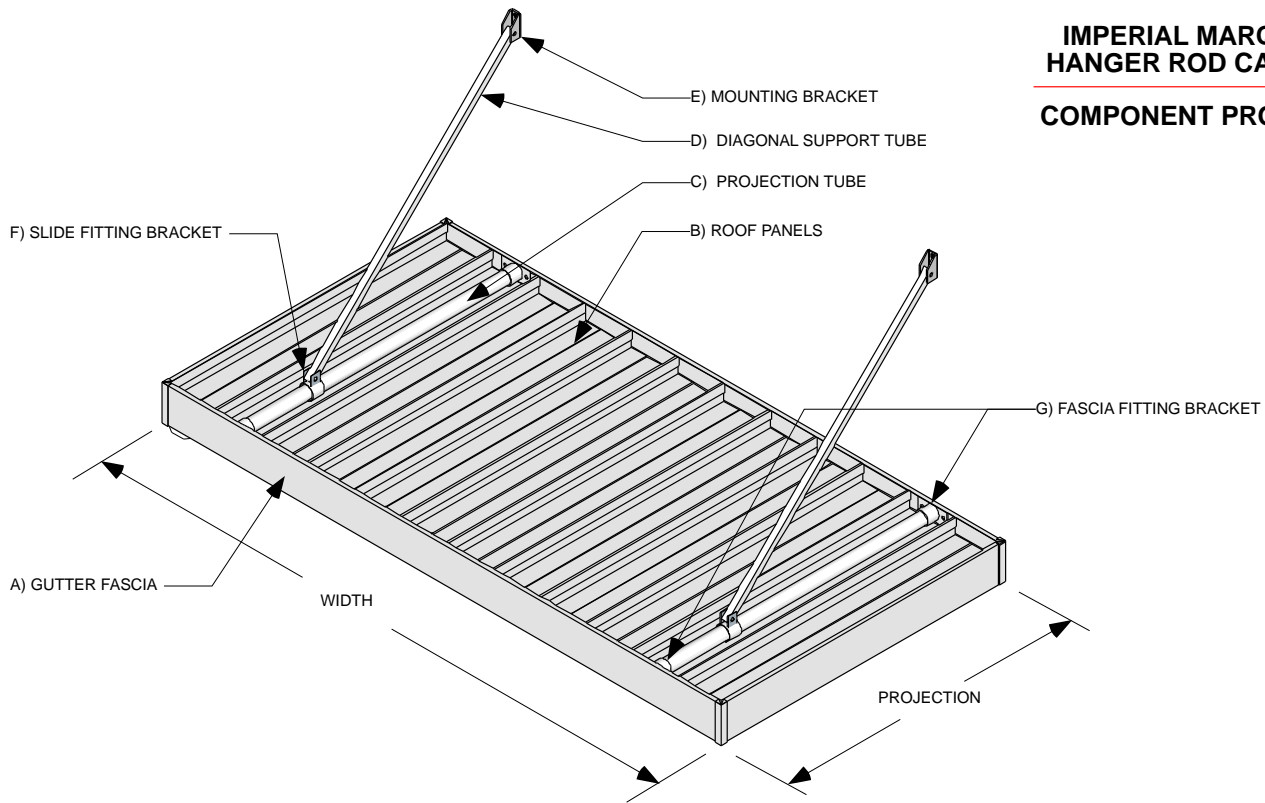


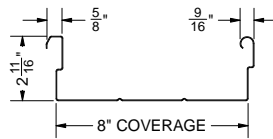
IMPERIAL MARQUEE HANGER ROD CANOPY

COMPONENT PROFILES



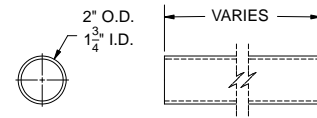
ALUMINUM ALLOY 6005-T5
THICKNESS= .094"

A GUTTER FASCIA



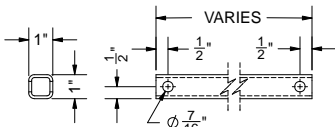
ALUMINUM ALLOY 3105-H14
THICKNESS= .032"

B ROOF DECK PROFILE



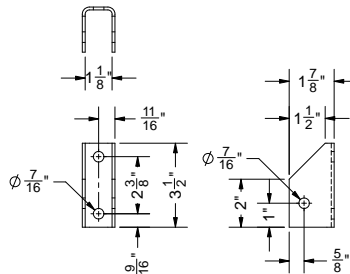
ASTM A513 TUBE GALV. G90

C PROJECTION TUBE



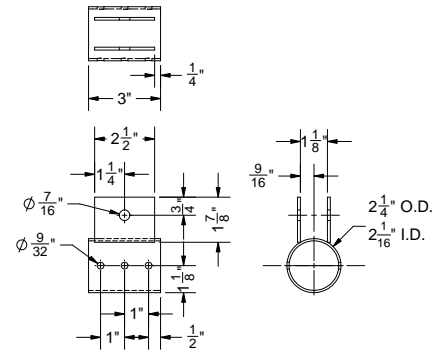
ASTM A513 TUBE GALV. G90
THICKNESS= 11 GA.

D DIAGONAL SUPPORT TUBE



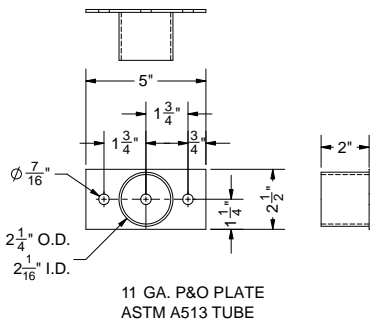
11 GA. P&O PLATE

E MOUNTING BRACKET



11 GA. P&O PLATE
ASTM A513 TUBE

F SLIDE FITTING BRACKET



11 GA. P&O PLATE
ASTM A513 TUBE

G FASCIA FITTING BRACKET

Specifications and details subject to change without notice.