



ShadeFX™
RETRACTABLE CANOPIES
THE AWNING OF A NEW AGE.

Photos courtesy of Gerrit Capenby, Oakville, Ontario.



SHADEFX.COM

THE NEW AGE OF COMFORT.
THE NEW AGE OF LUXURY.
THE NEW AGE OF STYLE.
OUTDOORS.

Cover your deck or patio with retractable shade that attaches to your new or existing pergola, patio cover, trellis or arbor.

**MAKE YOUR MOVE TO
OUTDOOR LIVING SEAMLESS.**

ShadeFX affords the comfort of fine cushioned furniture, overflowing dining tables, and memorable family events free of concern for the elements: rain or shine.

**ENTERTAIN OUTDOORS
ON A GRAND SCALE.**

The luxury of covering areas up to 600 sq-ft under one retractable canopy happens at the push of a button. Only ShadeFX is designed to protect large areas from both sun and rain, while allowing the option of open sky for enjoying perfect days to the fullest.

STYLE COMES WITH SUBSTANCE.

You can take your love for outdoor living to any location. Only ShadeFX has the design strength to withstand the rigors of terrace locations in the sky, and the wind forces common among tall downtown buildings and seaside locales.

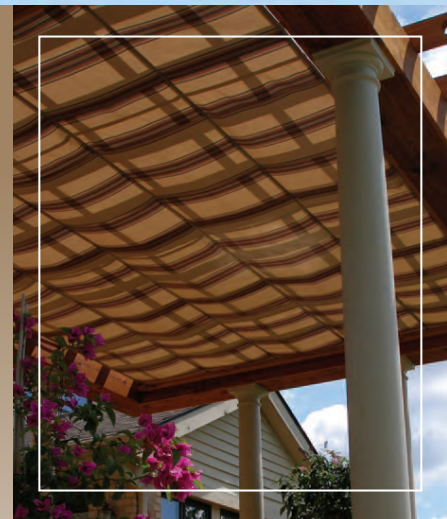
RETRACTING ▼

EXTENDED ▼

**THE BENEFITS OF OUR PATENT-
PENDING MONORAIL DRIVE BEAM**

Only ShadeFX uses one drive beam located in the middle of the canopy to operate the mechanism. Since there is only one track, there is no need to align 'tracks', allowing ShadeFX to mount to frames of all types including wood, without concern for jamming or binding as the frame may shift over time. Only ShadeFX supports the canopy with the drive beam in the middle so rain can shed to the sides. Although rain may pool, it will not accumulate excessively. This makes ShadeFX the only retractable canopy system designed to be left out in the wind and the rain that mounts to a frame of your design.

Photos courtesy of Creative Outdoor Wood Products



HOW SHADEFX DOES WHAT ROLL RETRACTABLES CAN'T

Roll up awnings rely on fabric tension for support between their front and back. They are not supported in between and for this reason, they are not recommended to be left extended in the wind or the rain. ShadeFX has canopy 'wings' that spread out from the drive beam support points. Therefore ShadeFX is a fully framed canopy system when extended, with the strength to withstand most winds and even heavy rain. Visit the ShadeFX videos on YouTube™.



Photo courtesy of Gerrick Carpentry, Oakville Ontario.



Photo courtesy of Walpole Woodworkers Inc.



Relax with the confidence of the best warranty in the business. ShadeFX is made using food machinery components that are designed for much higher stresses and duties than the canopy system demands of them. That is how we can offer a 12 year limited warranty on the mechanical components. All our fabrics are of the finest outdoor materials money can buy with 5 to 10 year no-fade warranties. The slim-line Somfy™ brand motor has a 5 year unconditional warranty. See shadefx.com for full warranty details.

CARE AND MAINTENANCE

Quality materials selected for outdoor duty enable ShadeFX to be generally maintenance free. The yarn dyed and coated fabrics easily hose off with water and the mechanical components are stainless steel or anodized aluminum for total corrosion resistance. It is wise to hose off the canopy system (photos below) when it is visibly dirty, and storage for winters in the north are best managed by simply retracting the canopy. For protection from tree debris a canopy cover (photo at right) is easily fashioned as part of the frame.

DIRTY ▶



SPRAY ▶

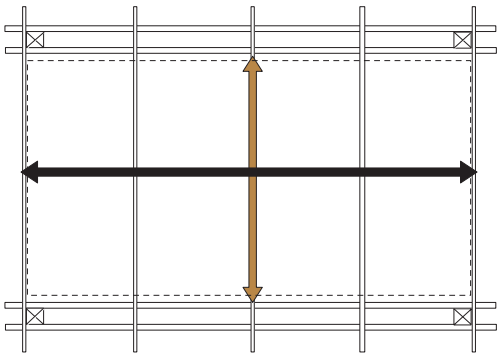


CLEAN ▶



FITTING TO A PERGOLA FRAME: Two Options

1 Drive beam (black arrow) is perpendicular below rafters

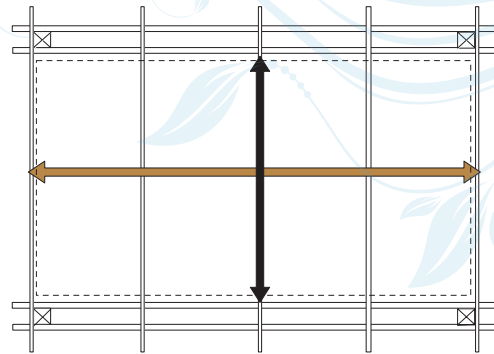


LENGTH of drive beam is between outside faces of outside rafters

WIDTH of canopy wings is inside face of beam to inside face of opposite beam, reduced by 1-1/2" for clearance.

Actual canopy fabric perimeter is:
Length less 4", Width less 3-1/2"

2 Drive beam (black arrow) is parallel below rafters

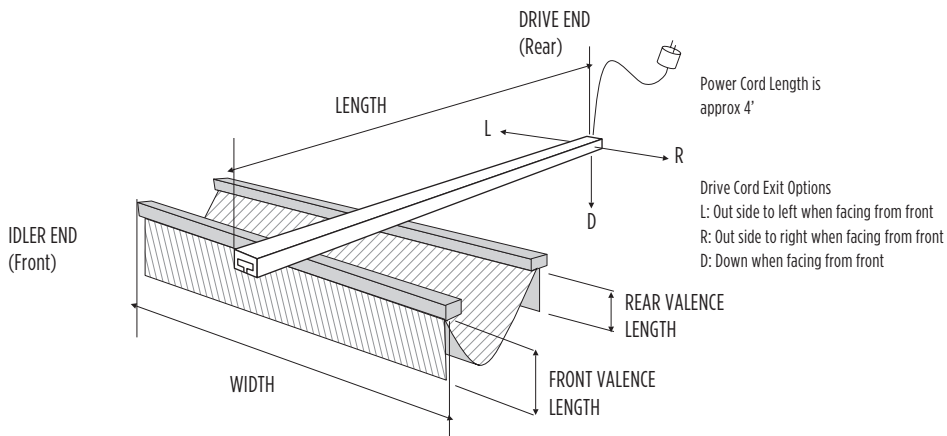


LENGTH of drive beam is inside face of beam to inside face of opposite beam LESS 1/4" for clearance

WIDTH of canopy wings is outside face of first rafter to outside face of last rafter. No clearance adjustment is required.

Actual canopy fabric perimeter is:
Length less 4", Width less 2"

PRODUCT DIMENSIONS



Note: All dimensions are actual desired tip to tip of the beam or wings

DRIVE OPTIONS

MANUAL - Extend and retract the canopy by pulling on a removable handle. Lock in place with a quick turn of handle.

ROPE - Extend and retract by drawing a rope/pulley system similar to a curtain draw cord system. A camlock retainer holds the rope to firmly secure the canopy at either end. All hardware is marine/stainless steel.

MOTOR - Extend and retract the canopy at the push of a button. ShadeFX motor drive systems use food machinery components for the drive belt, bearings, pulleys and transmission for ultra durable and weather resistant operation.

STABILIZERS

The stabilizers limit the motion of the canopy wings by containing them at the ends so they cannot tilt and tip in the wind. The top edge of the canopy wing should ride on the bottom edge of the stabilizers that are typically offset relative to the bottom of the rafters according to the chart at right:



The ideal stabilizer is a 2x2 or 2x4. There should be some stress on the wing from the stabilizer to ensure all movement in the wind is contained. Locate the stabilizers where they just touch the top of the wing, then bring them down approximately 1/4" to preload them.

WING WIDTH	10'	12'	14'	16'
OFFSET*	3-1/2"	3-3/4"	4"	4-1/4"

* Typical offset. It is best to tack stabilizers in place and set wing preload with the wings in place.

ShadeFX is available through architects, designers, and quality contractors worldwide. Specify ShadeFX to your landscape construction professional and we'll make the purchase and installation process a seamless pleasure.

HERE'S WHAT PEOPLE ARE SAYING:

"ShadeFX provided a canopy solution for a rooftop pergola that I could find from no other company. It is an aesthetic installation, with wind resistance suitable to a 5th floor urban terrace, and the look and feel of a well designed and engineered product that has met the expectations of a discerning clientele."

- Todd Smith Garden Design

"Our ShadeFX canopy has turned our outdoor living and entertaining into a pleasure. Before, it was too hot to sit and enjoy the deck on sunny days. Now with ShadeFX we use the deck like another room of the house. The temperature reduction from the canopy is amazing."

- Keith Powell

"As a designer, I was challenged with the need to provide retractable shade on an existing pergola. After researching the options thoroughly, ShadeFX was the product that fit best. It was delivered on time and installed with no trouble. I wouldn't hesitate to recommend ShadeFX for any application requiring retractability, a large continuous canopy, and rain and wind resistance."

- Dolce Vita

"Our customers have always loved our pergola kits and now with the added option of ShadeFX canopies homeowners can enjoy shelter from the rain, uv-rays and even add privacy. With the ShadeFX canopy system, both our new and existing pergolas become fully-functional outdoor living spaces."

-Lou Maglio, President, Walpole Woodworkers Inc.



103-110 Hepbourne St.
Toronto, ON
M6H 1K5
Tel: 905 528 4448
www.shadefx.com