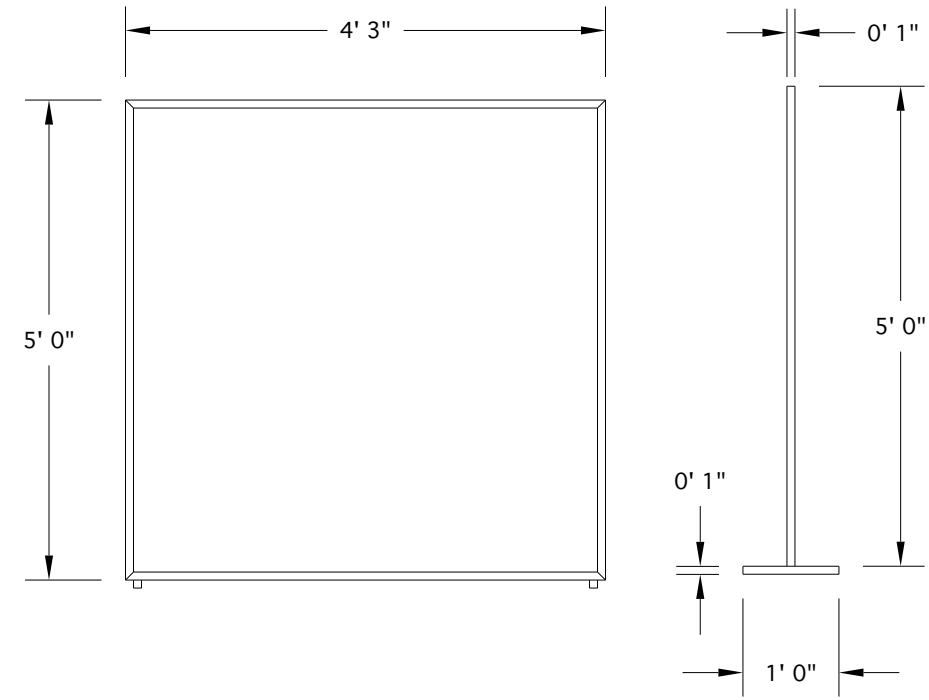
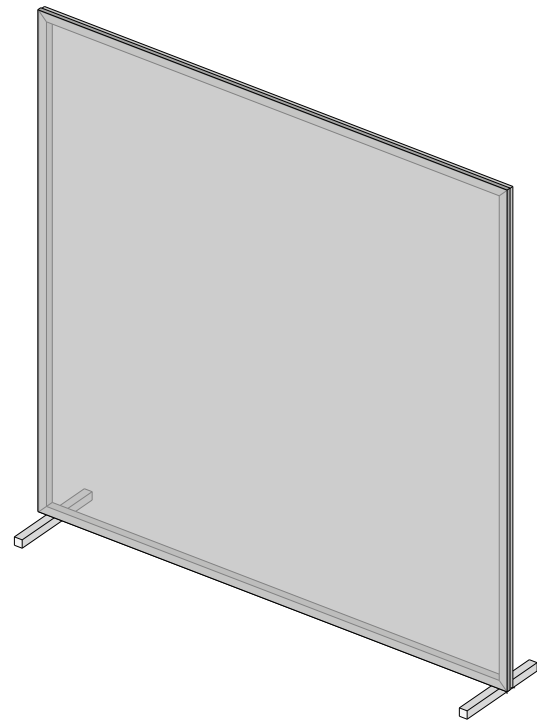


1/2" = 1' 0"



1/2" = 1' 0"