

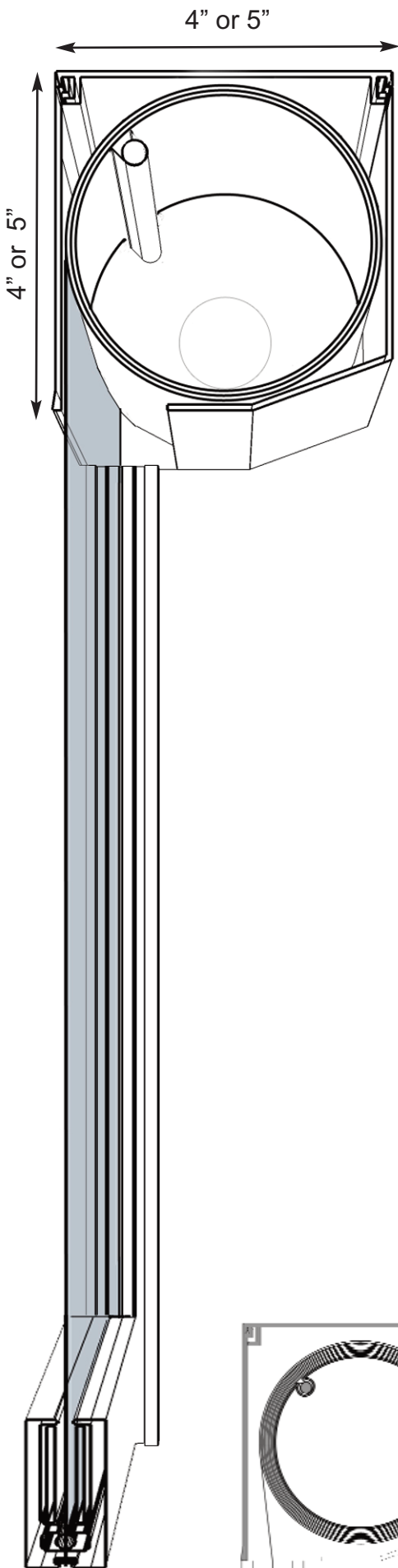


# Eclipse E-Zip

## Side Retention Shading System



The Eclipse E-Zip retractable shading system provides touch of a button control for expanded outdoor living. The E-Zip will reduce sun glare, block a majority of the sun's heat and add privacy all while creating a virtual bug proof environment. The unique side fabric retention system will also add a level of security for both pets and your outdoor belongings. Make the most of safe outdoor living with a custom made professionally installed Eclipse E-Zip shading system!



# Eclipse E-Zip

## Side Retention Shading System

### Product Highlights:

- Extruded aluminum 4" x 4" or 5" x 5" powder coated cassette box
- Powder coated aluminum vertical tracks with adjustable fabric retention inserts
- Weighted hem bar, powder coated with bottom seal
- Hidden track mounting hardware
- Standard hardware colors: white, brown & desert sand, custom available
- Without cassette box for recessed mounting applications
- Dozens of open weave and solid fabric from which to choose from
- 10 year warranty on most fabrics
- Up to 20' wide and up to 20' drops - size limitations based on fabric selections

### Applications:

Small to large openings to control the effects of sun, weather or insects  
Residential or commercial applications - graphics can also be applied

### Operation:

UL listed, 120 VAC/60Hz, Somfy Altus RTS (radio controlled) AC motor  
35Nm, 20 RPM, 2.5 amps  
Manual hand crank operation available in early Spring

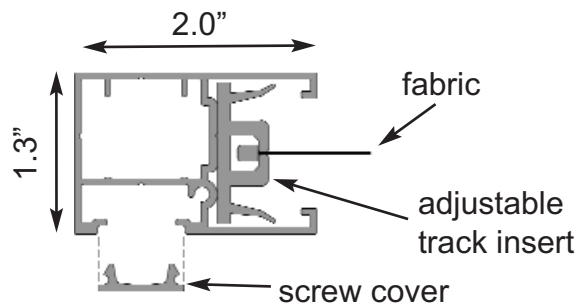
### Unit Options:

Hand held controller, wall mounted or integrated into an existing automated system  
"L" channel track for uneven mounting surfaces  
Power cord cassette box exit - out the top, back or side cover

### Unit Notes:

If fabric needs to be seamed, it is RF pulse welded and will appear vertically in most fabrics. Seams, if necessary, can also be placed at a desired height.  
Fabric retention guide is a free floating system which adjusts to changing weather conditions as well as expansion and contraction of the fabric

### Side Track Details (top view)



### Hem Bar Details (side view)

